



Door Closer

DORMA TS 71

The inexpensive solution for standard doors – with quality assured

With the TS 71, DORMA has developed a door closer that rounds off its ClassicLine series perfectly. The ease and speed with which it can be fixed, the fact that its spring strength can be so easily adapted to the door size – by simply turning round the hinge plate – and

its competitive price should make it the ideal choice for your application.



Quality assured manufacture to DIN ISO 9001, EN 29001, BS 5750. Certified and verified by BSI Quality Assurance Reg.-No. Q 6423, FM 10756

Benefits

For the trade

- Increased stocking flexibility thanks to use of the standard ClassicLine series arm.
- Complements the ClassicLine series as a competitive model for standard doors.

For the installer/fabricator

- Non-handed design.
- Easy and quick to fix.

For the architect/specifier

- Competitive and reliable.
- Compact construction combined with classic design.

For the user

- Constant closing action virtually unaffected by temperature fluctuations.
- Optimum closing speed adjustment with two regulating valves.
- Reliable closing with adjustable latching action.

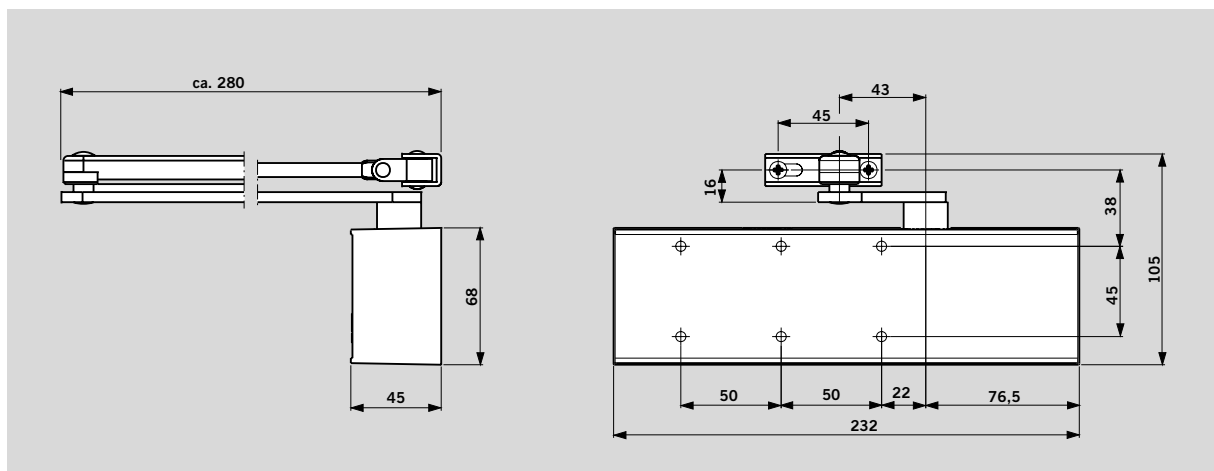
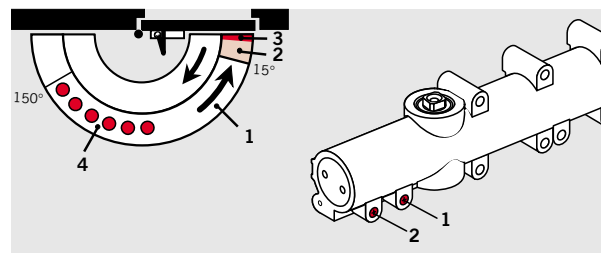
Data and features		TS 71
Spring strength (adjustable by turning round the hinge plate)	Size	EN 3/4
Standard doors	$\leq 1100 \text{ mm}^{1)}$	●
External doors, outward opening		–
Fire doors		–
Non-handed		●
Arm type	Standard	●
	Slide channel	–
Closing speed adjustable at 2 separate valves	$180^\circ - 15^\circ$	●
	$15^\circ - 0^\circ$	●
Latching action adjustable (by arm)		●
Backcheck		–
Delayed action		–
Hold-open		○
Weight in kg		1.2
Dimensions in mm	Length	232
	Overall depth	45
	Height	68
Door closer tested and approved to EN 1154		●

● Yes – No ○ Option

¹⁾With parallel-arm fixing, the closing force is approx. 20 Nm (for doors up to 950 mm)

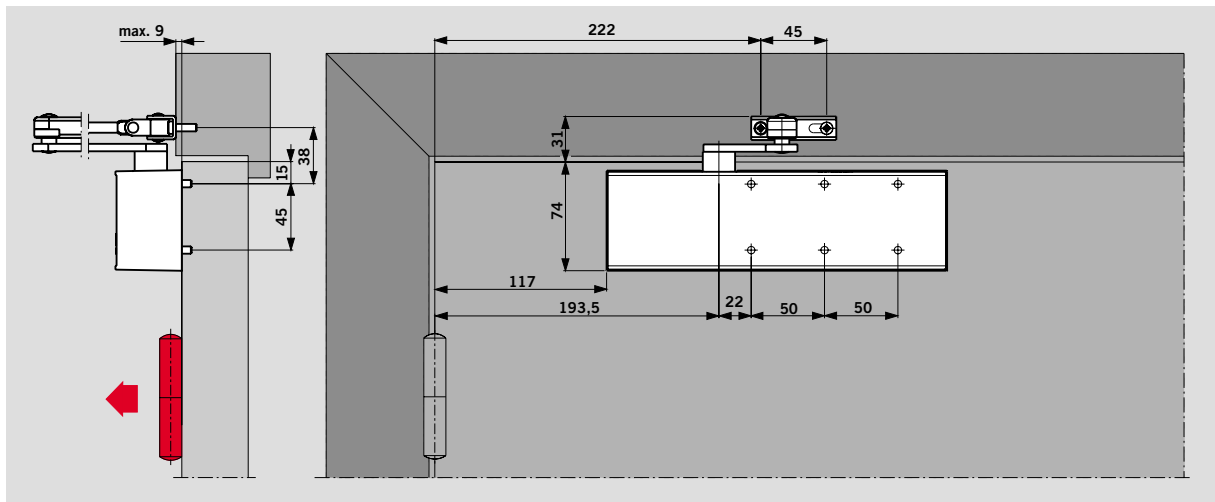
Standard and optional functions

- 1 Closing speed adjustable in the range $180^\circ - 15^\circ$.
- 2 Closing speed adjustable in the range $15^\circ - 0^\circ$.
- 3 Latching action.
- 4 Hold-open range for model with hold-open arm (optional extra).



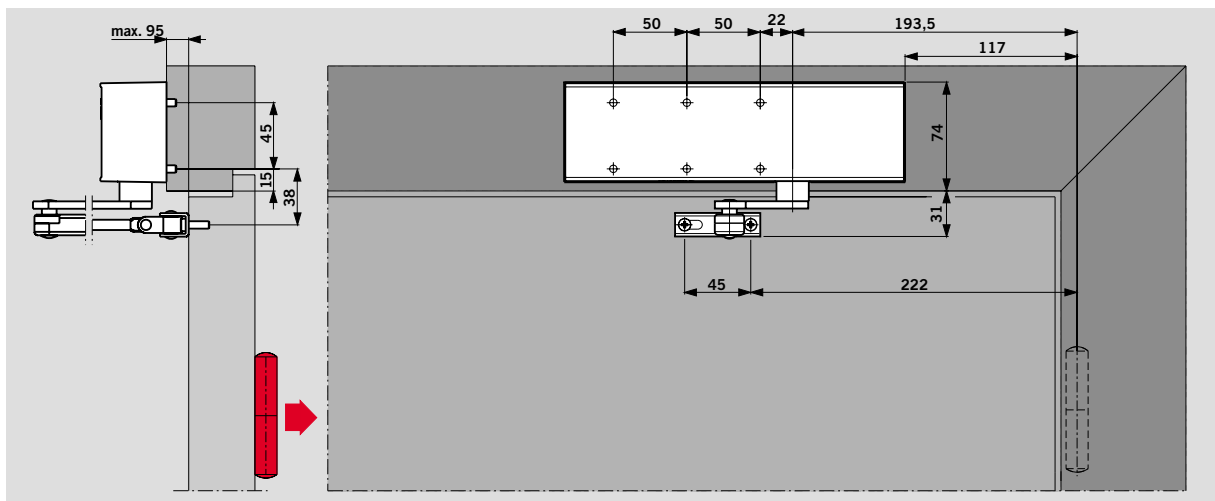
Door leaf fixing, pull side

(Example refers to left-hand [ISO 6] door; mirror image applies to right-hand [ISO 5] door)



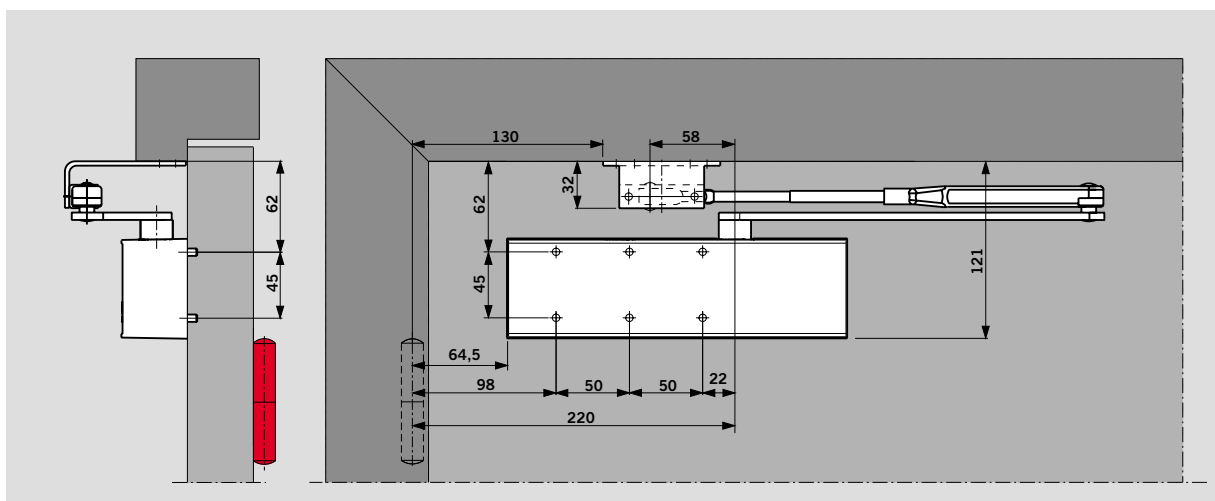
Transom fixing (overhead frame installation), push side

(Example refers to left-hand [ISO 6] door; mirror image applies to right-hand [ISO 5] door)



Parallel-arm fixing, push side

(Example refers to left-hand [ISO 6] door; mirror image applies to right-hand [ISO 5] door). Parallel-arm bracket (accessory) necessary

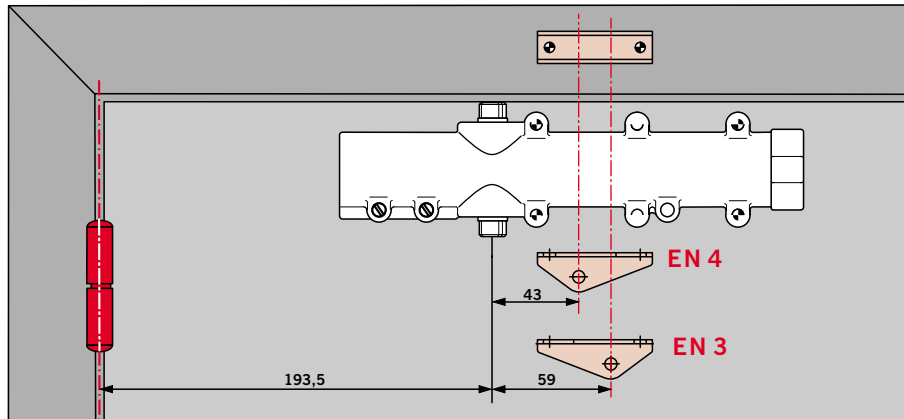


With this fixing method, the closing force is approx. 20 Nm (for doors up to 950 mm)

Closing force settings

Door width	Setting
≤ 950	EN 3
≤ 1100	EN 4

With the TS 71, the spring strength (size setting) of the closer is adjusted to the door width concerned by merely turning round the hinge plate.



Standard equipment and accessories

Order No.:

- = Closer separate
- = Arm assembly separate
- # = Accessory

Colour	xx
Silver	01
Dark brown	03
White (sim. to RAL 9010)	10
White (sim. to RAL 9016)	11
Special colour	09

Order No.	Closer body TS 71	Standard arm	Hold-open arm	Mounting backplate	Parallel-arm bracket
		 □ 220023xx	 □ 220025xx	 220021xx	 280066xx
	Size EN 3/4 222121xx	□	□	#	#

Specification text

Rack-and-pinion door closer with adjustable closing force, size EN 3 or 4, closing speed adjustable in two independent ranges, with adjustable latching action. Non-handed. Tested and approved to EN 1154.

Model

- with standard arm
- with hold-open arm

Accessories

- Mounting backplate
- Fixing bracket for parallel-arm assembly

Farbe

- Silver
- Dark brown
- White (sim. to RAL 9010)
- White (sim. to RAL 9016)
- Special colour _____ (sim. to RAL _____)

Make DORMA TS 71

DORMA Door Controls Pte. Ltd.
No. 2, Jalan Terusan, Jurong
Singapore 619285
Rep. of Singapore
Tel. 0065 2687633
Fax 0065 2657914

DORMA Door Controls Pty. Ltd.
P.O. Box 1092
Narre Warren Vic 3805
52 Abbott Road
Hallam Victoria 3803
Australia
Tel. 0061 3/97 96 35 55
Fax 0061 3/97 96 39 55

DORMA Gulf Door Controls FZE
Jebel Ali Free Zone, Roundabout 8,
Unit VC 02
P.O. Box 17268
Jebel Ali, Dubai
United Arab Emirates
Tel. 00971 48 /83 90 14
Fax 00971 48 /83 90 15

DORMA Door Controls (Pty.) Ltd.
Kings Court
P.O. Box 82182
2135 Southdale · South Africa
Tel. 0027 11/8 30 02 80
Fax 0027 11/8 30 02 91

DORMA GmbH + Co. KG
P.O. Box 40 09
58247 Ennepetal
Breckerfelder Straße 42-48
58256 Ennepetal
Germany
Tel. +49(0)23 33/7 93-0
Fax +49(0)23 33/79 34 95

The address of a subsidiary/representation in your area you can find at the DORMA-website: www.dorma.com